

603

April 2016

Time – Three hours
(Maximum Marks: 75)

- [N.B: (1) Answer all questions in the drawing sheet.
(2) First angle projection is to be followed.
(3) All dimensions are in mm.
(4) Credit will be given for neatness.
(5) Assume missing dimensions suitably.]

PART – A

(Marks: 3 x 5 = 15)

- [N.B:- (1) Answer ALL questions.
(2) All questions carry equal marks.]

1. Circumscribe a regular hexagon about a circle of radius 30mm.
2. Draw the development of a cylinder of base diameter 30mm and height of the axis 35mm.
3. A triangular prism of base side 35mm and axis 60mm long lies with one of its longer edges on the H.P. such that its axis is perpendicular to V.P. The rectangular faces containing that longer edge is equally inclined to H.P. Draw its projections.

PART – B

(Marks: 4 x 15 = 60)

- [N.B:- (1) Answer any FOUR questions.
(2) All questions carry equal marks.]

4. Construct the path traced out by a point on a circular disc of radius 30mm rolls in a circular path of radius 100mm inside of it.
5. Draw the development of the rectangular pipe shown in figure 1.
6. Draw the projections of the regular cone of base diameter 35mm and altitude 70mm is resting with its generators on the H.P.
7. A cone of base diameter 50mm and axis 60mm rests on the ground with its axis perpendicular to H.P. It is cut by a cutting plane inclined at 45° to the H.P., meets the axis at 40mm above the base. Draw the front view, sectional top view and true shape of the section.
8. Draw the isometric projection of frustum of pentagonal pyramid having longer base side 40mm and shorter base side 30mm with axis of 70mm resting on its longer side base keeping one of its base side parallel to the V.P.
9. Draw the isometric view of the component shown in figure 2.

[Turn over.....]

-3-

9. படம் 2-ல் காட்டப்பட்டுள்ள பொருளின் தோற்றங்களைக் கொண்டு மும்முகத்தோற்றத்தினை வரைக.

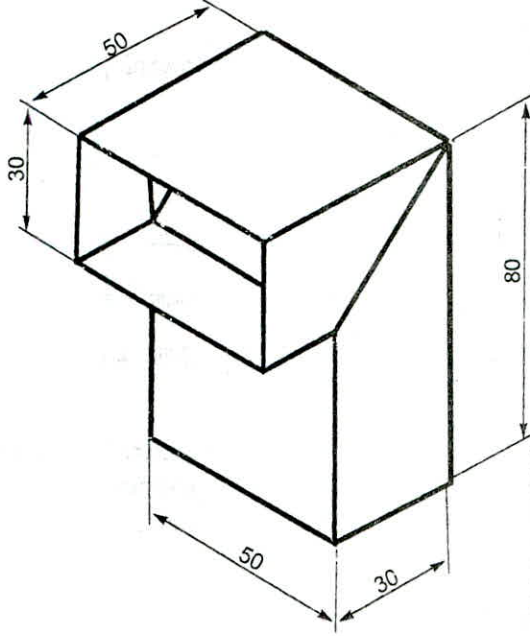


Figure 1 (படம் 1)

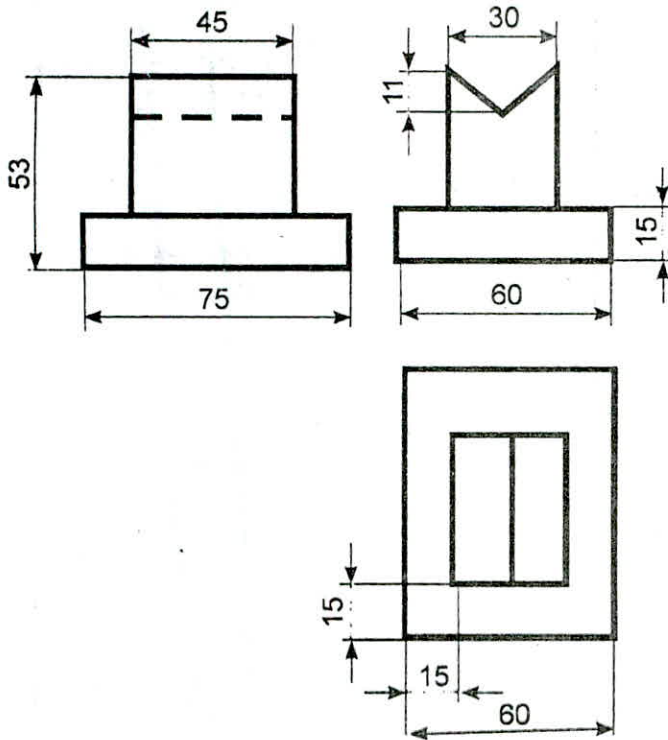


Figure 2 (படம் 2)

© 2010 by Pearson Education, Inc. All rights reserved.

Engineering
Mechanics

Figure 1 (a) 1

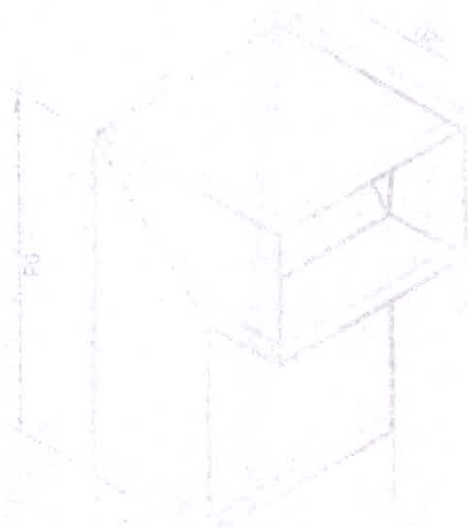


Figure 2 (a) 2

